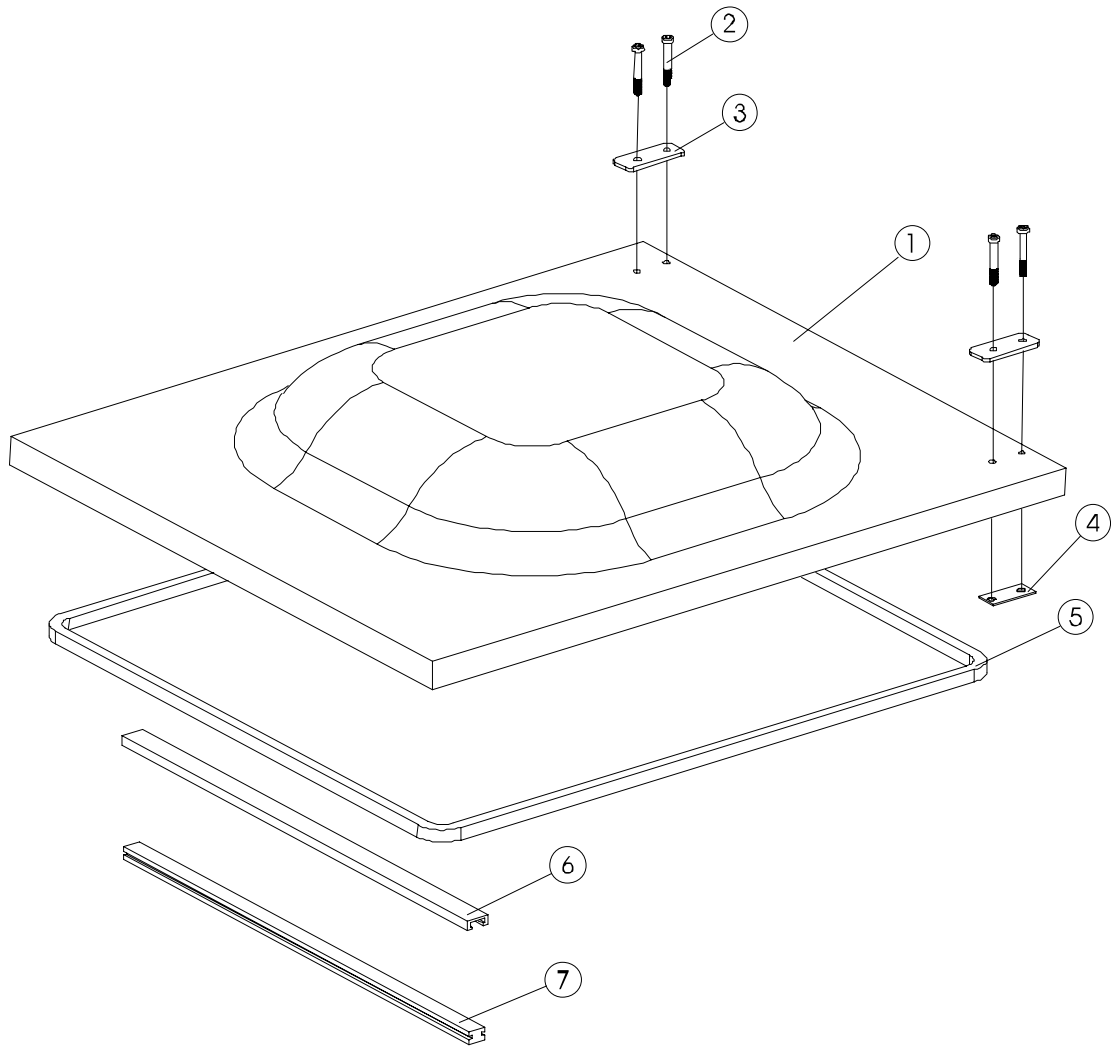
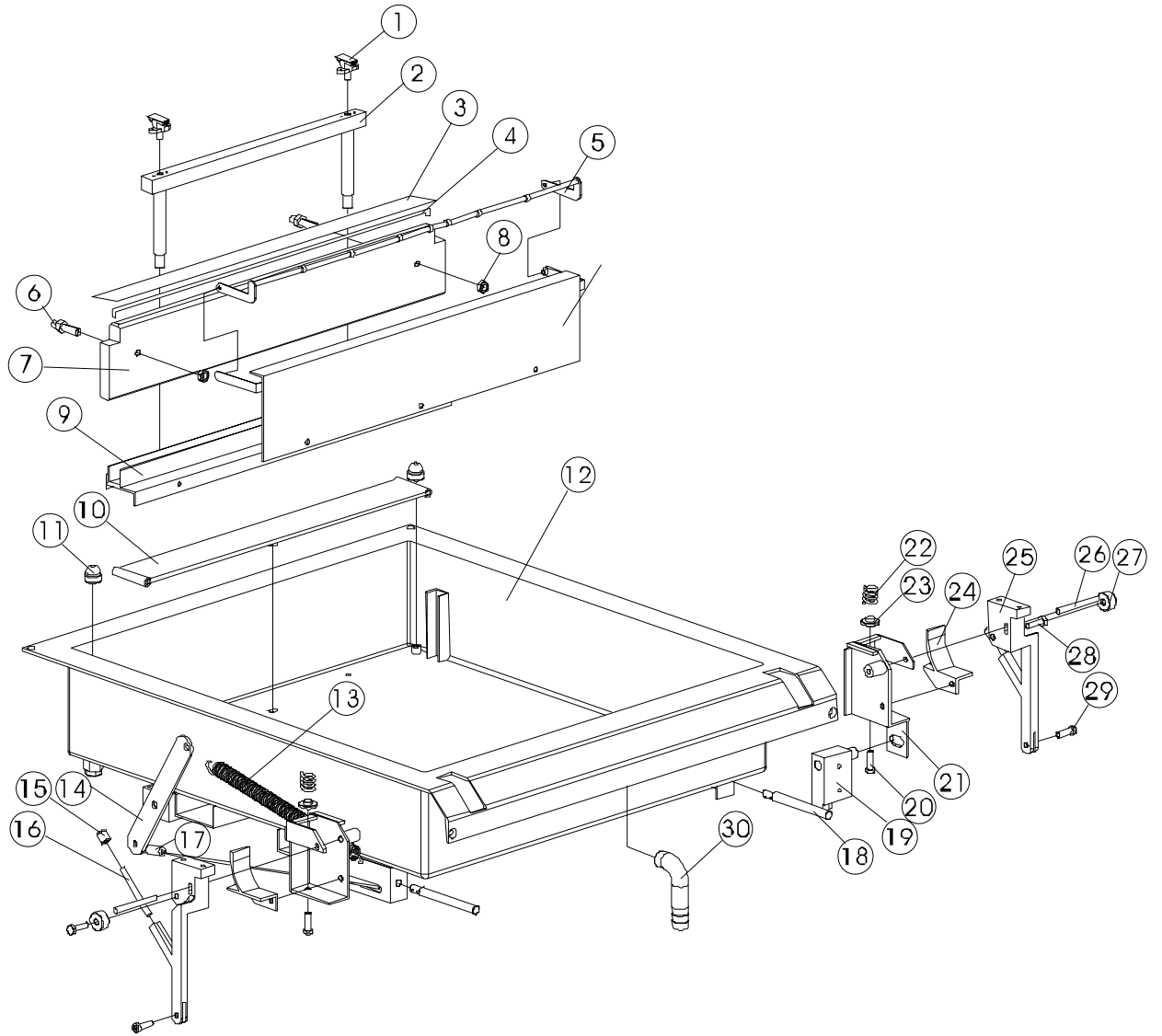


DZQ-500T Single Chamber Vacuum Packaging Machine

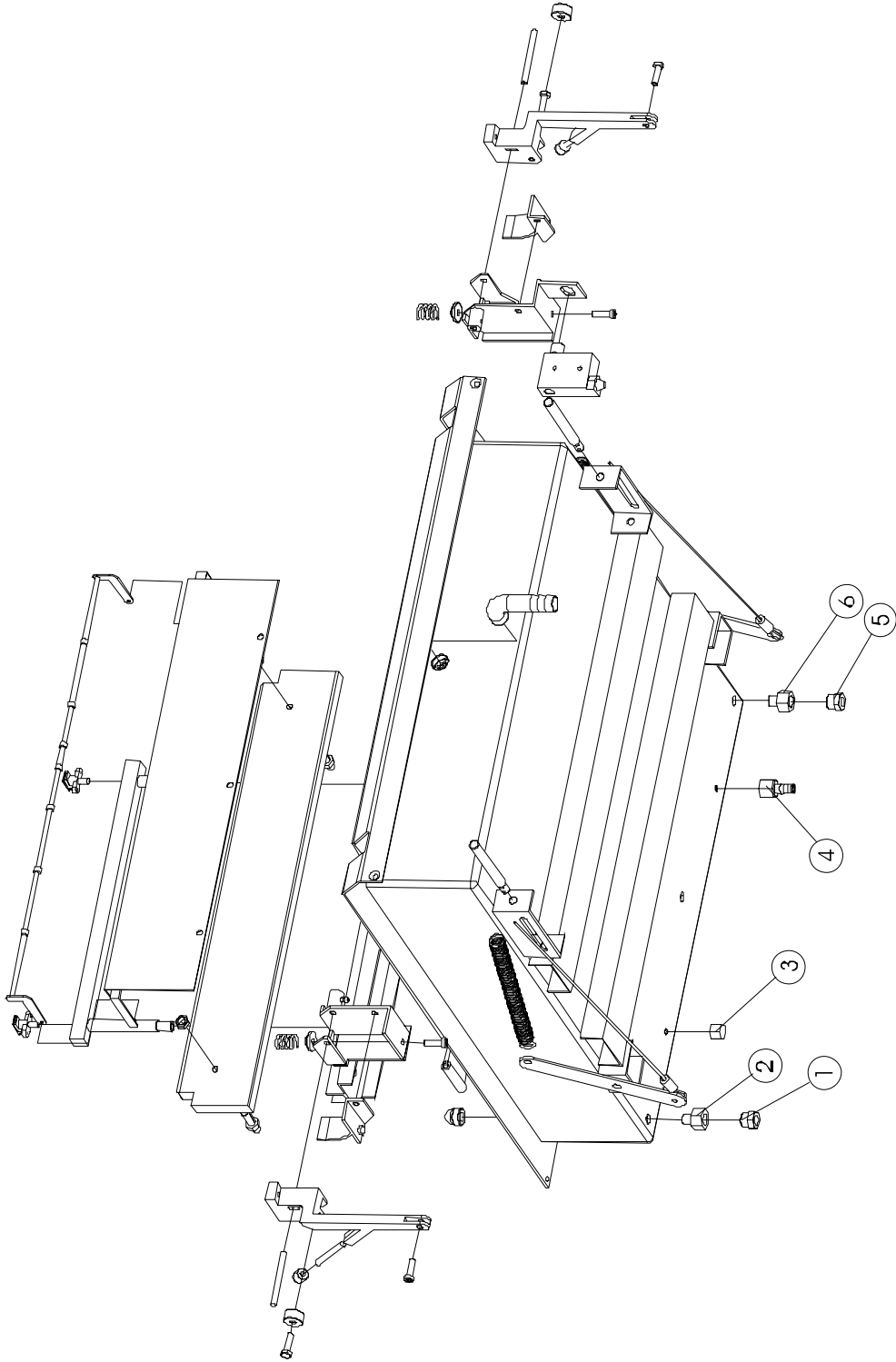
1. Explosive Drawing of Machine Cover



2. Explosive Drawing of Vacuum Chamber (Upside)



Explosive Drawing of Vacuum Chamber (Underside)



3. Explosive Drawing of Motherboard

